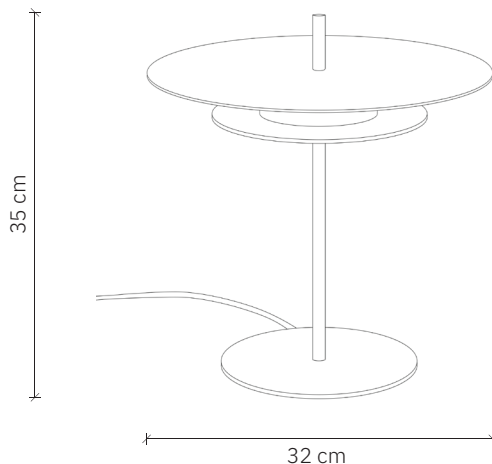


Aeroplan Table

design: 2023, Cezary Zadorożny



Model	Aeroplan Wall
Material	Aluminium Sandblasted glass
Finish	Powder-coated aluminium, sanblasted glass
Dimensions	Lampshade diameter: 32 cm, base diameter: 19 cm, H: 35 cm
Power cord	Fabric-coated black silicone, 160 cm
Power supply	220-240V
Light Source	14 W LED, ~3000 K (with an in-line dimmer)
Weight	1,6 kg

User Manual:

- Gently remove the packaging.
- Before starting the installation, check if the product is complete and contains all elements without any damage.
- Check if all cables have undamaged insulation of wires and conductors.
- If any damage occurred during transport, report it to the seller.
- Turn off the power in the room where the lamp will be installed. Switch off the circuit breakers or the main power switch.
- It is recommended that the fixture be installed by an electrician or a properly trained person.
- The manufacturer does not provide wall plugs with the lamp. It is recommended to purchase plugs specifically designed for the mounting surface.
- Use only recommended bulbs to avoid overheating.

Maintenance Tips:

- Use a soft, dry, or slightly damp cloth to wipe off dust.
- Do not use any aggressive cleaning agents, as this may cause permanent stains or discoloration of the lamp.
- Keep the user manual.



Aeroplan Table

design: 2023, Cezary Zadorożny

Model	Aeroplan Table
EAN code	5902730887461
Producer	LOFTLIGHT Bottonova Sp. z o. o.
Design	Cezary Zadorożny
Type	Table lamp
Materials	Aluminium Sandblasted glass
Finish	Powder-coated aluminium, sanblasted glass
Lampshade diameter	32 cm
Base diameter	19 cm
Height	35 cm
Power cord	Fabric-coated black silicone
Standard cord length	160 cm
Power supply	220-240V
Light source	14W LED (with an in-line dimmer)
Light colour	~3000 K
Light stream	1400 lm
Color Rendering Index	95 Ra
Number of light points	1
Weight	1,6 kg
IP protection degree	IP20

