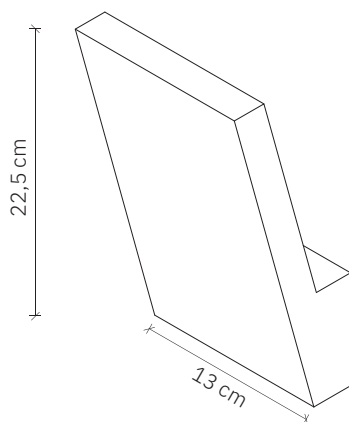


# Irma

design: 2018, Cezary Zadorożny



<b>Model</b>	Irma
<b>Material</b>	Hand-cast concrete
<b>Finish</b>	Coloured concrete
<b>Dimensions</b>	W: 13 cm, D: 9,2 cm, H: 22,5 cm
<b>Power supply</b>	220-240V
<b>Light Source</b>	3W LED (integrated)
<b>Weight</b>	1 kg

## User Manual:

- Gently remove the packaging.
- Before starting the installation, check if the product is complete and contains all elements without any damage.
- Check if all cables have undamaged insulation of wires and conductors.
- If any damage occurred during transport, report it to the seller.
- Turn off the power in the room where the lamp will be installed. Switch off the circuit breakers or the main power switch.
- It is recommended that the fixture be installed by an electrician or a properly trained person.
- The manufacturer does not provide wall plugs with the lamp. It is recommended to purchase plugs specifically designed for the mounting surface.
- Use only recommended bulbs to avoid overheating.

## Maintenance Tips:

- Use a soft, dry, or slightly damp cloth to wipe off dust.
- Do not use any aggressive cleaning agents, as this may cause permanent stains or discoloration of the lamp.
- Keep the user manual.



# Irma

design: 2018, Cezary Zadorożny

Model	Irma
EAN code	5902730885825
Producer	LOFTLIGHT   Bottonova Sp. z o. o.
Design	Cezary Zadorożny
Type	Wall lamp
Materials	Hand-cast concrete
Finish	Coloured concrete
Width	13 cm
Depth	9,2 cm
Height	22,5 cm
Power supply	220-240V
Light source	3W LED (integrated)
Light colour	~4000K lub ~2900K
Light stream	300 lm
Color Rendering Index	95 Ra
Number of light points	1
Weight	1 kg
IP protection degree	IP20

