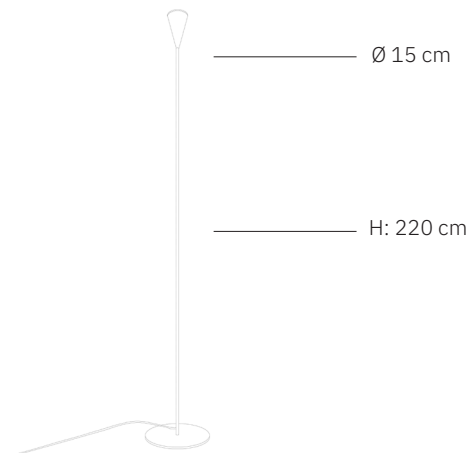


# Konik 220

design: 2023, Cezary Zadorożny



<b>Model</b>	Konik 220
<b>Material</b>	Aluminium   Steel   Sandblasted glass
<b>Finish</b>	Powder-coated aluminium and steel, sandblasted glass
<b>Dimensions</b>	Lampshade diameter: Ø 15 cm, H: 220 cm
<b>Power cord</b>	Fabric-covered black silicone, 180 cm
<b>Power supply</b>	220-240V
<b>Light Source</b>	18W LED, ~3000 K, (with an in-line dimmer)
<b>Weight</b>	-

## User Manual:

- Gently remove the packaging.
- Before starting the installation, check if the product is complete and contains all elements without any damage.
- Check if all cables have undamaged insulation of wires and conductors.
- If any damage occurred during transport, report it to the seller.
- Turn off the power in the room where the lamp will be installed. Switch off the circuit breakers or the main power switch.
- It is recommended that the fixture be installed by an electrician or a properly trained person.
- The manufacturer does not provide wall plugs with the lamp. It is recommended to purchase plugs specifically designed for the mounting surface.
- Use only recommended bulbs to avoid overheating.
- It is recommended to install with gloves.

## Maintenance Tips:

- Use a soft, dry, or slightly damp cloth to wipe off dust.
- Do not use any aggressive cleaning agents, as this may cause permanent stains or discoloration of the lamp.
- Keep the user manual.



# Konik 220

design: 2023, Cezary Zadorożny

Model	Konik 220
EAN code	5902730888574
Producer	LOFTLIGHT   Bottonova Sp. z o. o.
Design	Cezary Zadorożny
Type	Floor lamp
Materials	Aluminium   Steel   Sandblasted glass
Finish	Powder-coated aluminium and steel, sandblasted glass
Lampshade diameter	15 cm
Height	220 cm
Power cord	Fabric-covered black silicone
Standard cord length	180 cm
Power supply	220-240V
Light source	18W LED
Light colour	~3000 K
Light stream	1800 lm
Color Rendering Index	95 Ra
Number of light points	1
Weight	-
IP protection degree	IP20

