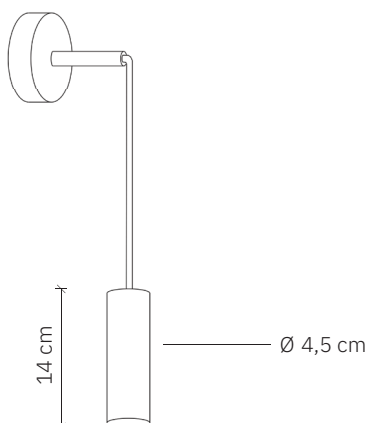


# Matuba LED Wall

design: 2023, Cezary Zadorożny



<b>Model</b>	Matuba LED Wall
<b>Material</b>	Aluminium
<b>Finish</b>	Powder coated aluminium element
<b>Dimensions</b>	Ø 4,5 cm, H: 14 cm
<b>Power cord</b>	Fabric-covered black silicone, 20 cm
<b>Power supply</b>	220-240V
<b>Light Source</b>	6W LED, ~3000 K
<b>Wall mounting cover</b>	Flat powder coated aluminium cover, Ø 10 cm, mounting hole spacing: 6 cm
<b>Weight</b>	0,42 kg

## User Manual:

- Gently remove the packaging.
- Before starting the installation, check if the product is complete and contains all elements without any damage.
- Check if all cables have undamaged insulation of wires and conductors.
- If any damage occurred during transport, report it to the seller.
- Turn off the power in the room where the lamp will be installed. Switch off the circuit breakers or the main power switch.
- It is recommended that the fixture be installed by an electrician or a properly trained person.
- The manufacturer does not provide wall plugs with the lamp. It is recommended to purchase plugs specifically designed for the mounting surface.
- Use only recommended bulbs to avoid overheating.
- It is recommended to install with gloves.

## Maintenance Tips:

- Use a soft, dry, or slightly damp cloth to wipe off dust.
- Do not use any aggressive cleaning agents, as this may cause permanent stains or discoloration of the lamp.
- Keep the user manual.

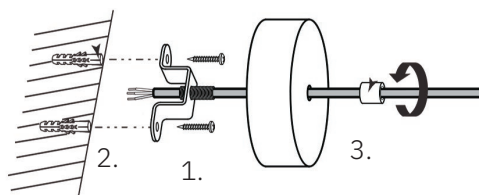


# Matuba LED Wall

design: 2023, Cezary Zadorożny

Model	Matuba LED Wall
EAN code	5902730888444
Producer	LOFTLIGHT   Bottonova Sp. z o. o.
Design	Cezary Zadorożny
Type	Wall lamp
Materials	Aluminium
Finish	Powder coated aluminium elements
Diameter	10,5 cm
Height	23,5 cm
Power cord	Fabric-covered black silicone
Standard cord length	20 cm
Power supply	220-240V
Light source	6W LED
Light colour	~3000 K
Light stream	600 lm
Color Rendering Index	95 Ra
Wall mounting cover	Flat powder coated aluminium cover, Ø 10 cm
Number of light points	1
Weight	0,42 kg
IP protection degree	IP20

## Installation instructions:



1. Match the expansion bolts to the weight of the lamp and the surface to which it will be mounted. The distance between expansion bolts should be determined based on the spacing of the holes in the fastening element. After preparing the holes in the mounting surface, tighten the fastening element with the selected bolts.

2. Connect the cables to the electrical installation.

3. Slide the cover towards the wall, then screw the nipple onto the protruding threaded pipe to hold the cover in place.

