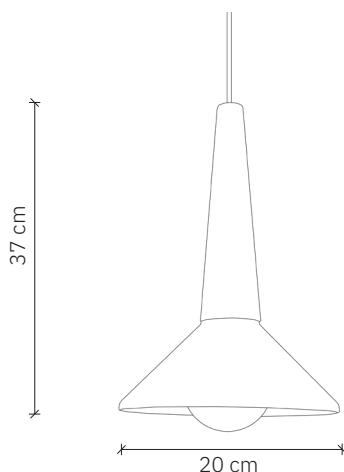


Medano

design: 2017, Cezary Zadorożny



Model	Medano
Material	Hand-cast concrete
Finish	Coloured concrete
Dimensions	Ø 20 cm, H: 37 cm
Power cord	Cotton power cable, 120 cm
Power supply	220-240V
Light Source	E27 max. 40W
Ceiling rose	Flat concrete ceiling rose Ø 10 cm, mounting hole spacing: 6 cm
Weight	2,1 kg

User Manual:

- Gently remove the packaging.
- Before starting the installation, check if the product is complete and contains all elements without any damage.
- Check if all cables have undamaged insulation of wires and conductors.
- If any damage occurred during transport, report it to the seller.
- Turn off the power in the room where the lamp will be installed. Switch off the circuit breakers or the main power switch.
- It is recommended that the fixture be installed by an electrician or a properly trained person.
- The manufacturer does not provide wall plugs with the lamp. It is recommended to purchase plugs specifically designed for the mounting surface.
- Use only recommended bulbs to avoid overheating.
- It is recommended to install with gloves.

Maintenance Tips:

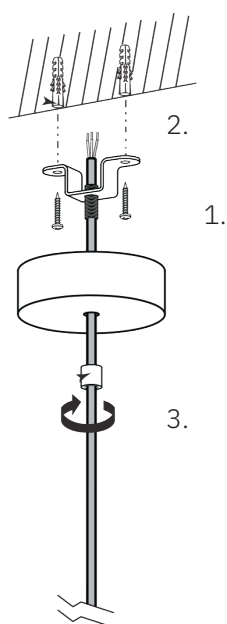
- Use a soft, dry, or slightly damp cloth to wipe off dust.
- Do not use any aggressive cleaning agents, as this may cause permanent stains or discoloration of the lamp.
- Keep the user manual.



Medano

design: 2017, Cezary Zadorożny

Model	Medano
EAN code	5902730885511
Producer	LOFTLIGHT Bottonova Sp. z o. o.
Design	Cezary Zadorożny
Type	Pendant lamp
Materials	Hand-cast concrete
Finish	Coloured concrete
Diameter	20 cm
Height	37 cm
Power cord	Cotton power cable
Standard cord length	120 cm
Power supply	220-240V
Light source	E27 max. 40W (bulb sold separately)
Ceiling rose	Flat concrete ceiling rose Ø 10 cm
Number of light points	1
Weight	2,1 kg
IP protection degree	IP20



Instalation instructions:

1. Match the expansion bolts to the weight of the lamp and the surface to which it will be mounted. The distnace between expansion bolts should be determined based on the spacing of the holes in the fastening element. After preparing the holes in the mounting surface, tighten the fastening element with the selected bolts.
2. Connect the cables to the electrical installation.
3. Slide the ceiling rose towards the ceiling, then screw the nipple onto the protruding threaded pipe to hold the ceiling rose in place.

