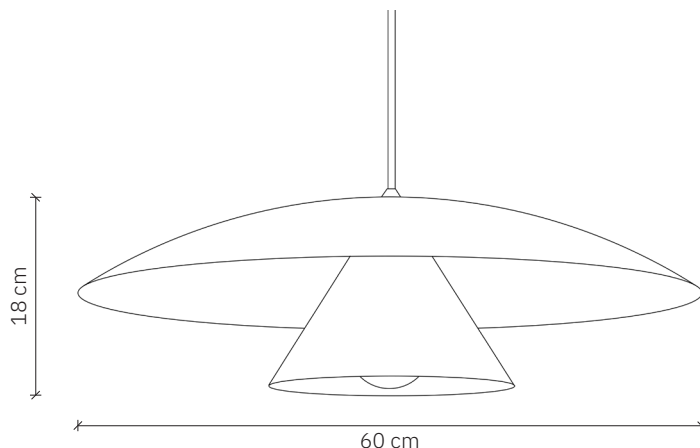


Olemi

design: 2022, Cezary Zadorożny



Model	Olemi
Material	Aluminium
Finish	Powder-coated aluminium elements
Dimensions	Ø 60 cm, H: 18 cm
Power cord	Fabric-covered black silicone, 120 cm
Power supply	220-240V
Light Source	E27 (bulb sold separately)
Ceiling rose	Aluminium cone ceiling rose in the colour of the upper shade, Ø 12 cm
Weight	2 kg

User Manual:

- Gently remove the packaging.
- Before starting the installation, check if the product is complete and contains all elements without any damage.
- Check if all cables have undamaged insulation of wires and conductors.
- If any damage occurred during transport, report it to the seller.
- Turn off the power in the room where the lamp will be installed. Switch off the circuit breakers or the main power switch.
- It is recommended that the fixture be installed by an electrician or a properly trained person.
- The manufacturer does not provide wall plugs with the lamp. It is recommended to purchase plugs specifically designed for the mounting surface.
- Use only recommended bulbs to avoid overheating.
- It is recommended to install with gloves.

Maintenance Tips:

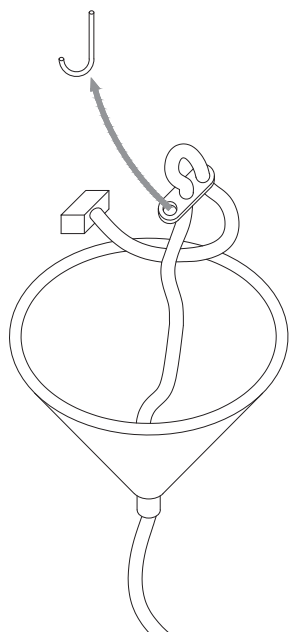
- Use a soft, dry, or slightly damp cloth to wipe off dust.
- Do not use any aggressive cleaning agents, as this may cause permanent stains or discoloration of the lamp.
- Keep the user manual.



Olemi

design: 2022, Cezary Zadorożny

Model	Olemi
EAN code	5902730887836
Producer	LOFTLIGHT Bottonova Sp. z o. o.
Design	Cezary Zadorożny
Type	Pendant lamp
Materials	Aluminium
Finish	Powder-coated aluminium elements
Diameter	60 cm
Height	18 cm
Power cord	Fabric-covered black silicone
Standard cord length	120 cm
Power supply	220-240V
Light source	E27 (bulb sold separately)
Ceiling rose	Aluminium cone ceiling rose, Ø 12 cm
Number of light points	1
Weight	2 kg
IP protection degree	IP20



Instalation instructions:

1. Pull the lamp's power cable through the eyelet of the plastic strain relief.
2. Attach the strain relief to the ceiling near the power source using a screw or hook.
3. Connect the lamp's cable to the ceiling power source using a terminal block.
4. Push the ceiling rose up to the ceiling.

