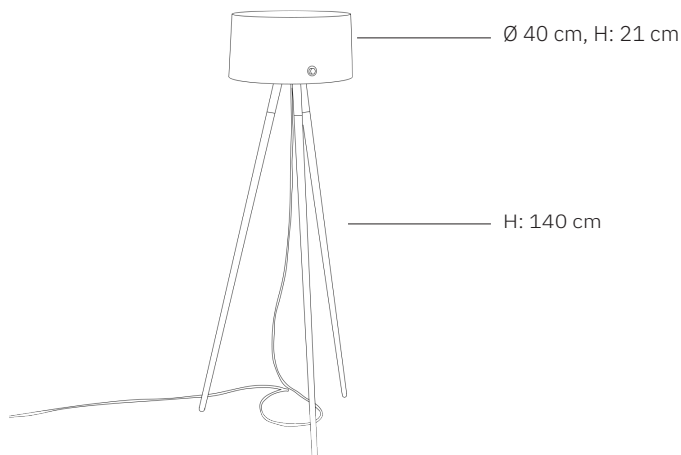


Talma Floor

design: 2017, Cezary Zadorożny



Model	Talma Floor
Material	Concrete Alder wood Steel
Finish	Coloured concrete, raw alder wood, steel elements
Dimensions	Lampshade diameter: Ø 40 cm, lampshade height: 21 cm, H: 140 cm
Power cord	Fabric-covered black silicone, 180 cm
Power supply	220-240V
Light Source	E27, max. 40W (not included)
Weight	7 kg

User Manual:

- Gently remove the packaging.
- Before starting the installation, check if the product is complete and contains all elements without any damage.
- Check if all cables have undamaged insulation of wires and conductors.
- If any damage occurred during transport, report it to the seller.
- Turn off the power in the room where the lamp will be installed. Switch off the circuit breakers or the main power switch.
- It is recommended that the fixture be installed by an electrician or a properly trained person.
- The manufacturer does not provide wall plugs with the lamp. It is recommended to purchase plugs specifically designed for the mounting surface.
- Use only recommended bulbs to avoid overheating.
- It is recommended to install with gloves.

Maintenance Tips:

- Use a soft, dry, or slightly damp cloth to wipe off dust.
- Do not use any aggressive cleaning agents, as this may cause permanent stains or discoloration of the lamp.
- Keep the user manual.



Talma Floor

design: 2017, Cezary Zadorożny

Model	Talma Floor
EAN code	5902730885702
Producer	LOFTLIGHT Bottonova Sp. z o. o.
Design	Cezary Zadorożny
Type	Floor lamp
Materials	Concrete Alder wood Steel
Finish	Coloured concrete, raw alder wood, steel elements
Lampshade diameter	40 cm
Lampshade height	21 cm
Height	140 cm
Power cord	Fabric-covered black silicone
Standard cord length	180 cm
Power supply	220-240V
Light source	E27, max. 40W (not included)
Number of light points	1
Weight	7 kg
IP protection degree	IP20

