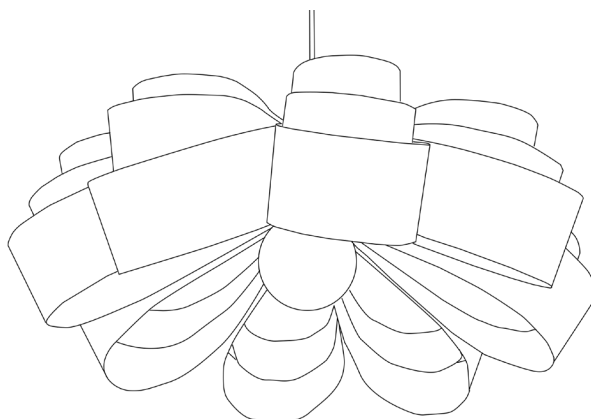


Fiora

design: MOWO Studio



Model	Fiora
Material	3D printed plastic
Dimensions	Ø50
Power cord	white rubber cable
Standard power cord length	120cm
Power supply	220V
Light source	E27 max. 60W / bulb sold separately
Ceiling rose	white plastic conical
Weight	~1,2kg

User Manual:

- Gently remove the packaging.
- Before starting the installation, check if the product is complete and contains all elements without any damage.
- Check if all cables have undamaged insulation of wires and conductors.
- If any damage occurred during transport, report it to the seller.
- Turn off the power in the room where the lamp will be installed. Switch off the circuit breakers or the main power switch.
- It is recommended that the fixture be installed by an electrician or a properly trained person.
- The manufacturer does not provide wall plugs with the lamp. It is recommended to purchase plugs specifically designed for the mounting surface.
- Use only recommended bulbs to avoid overheating.

Maintenance Tips:

- Use a soft, dry, or slightly damp cloth to wipe off dust.
- Do not use any aggressive cleaning agents, as this may cause permanent stains or discoloration of the lamp.
- Keep the user manual.



Fiora

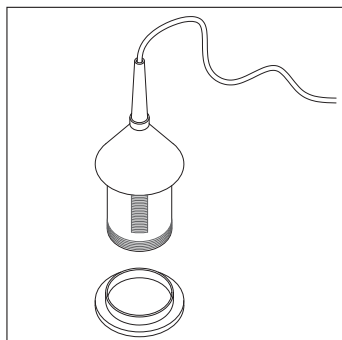
design: MOWO Studio

Model	Fiora
EAN code	5902730885214
Producent	LOFTLIGHT Bottonova Sp z o. o.
Design	MOWO Studio
Type	pendant lamp
Materials	3D printed plastic
Diameter	50
Height	max. 150cm
Standard power cord length	120cm
Ceiling rose	white plastic conical
Weight	~1,2kg
Power supply	220V
Light source	E27 max. 60W / bulb sold separately
Number of light points	1

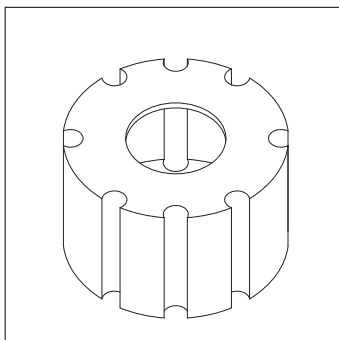


Fiora

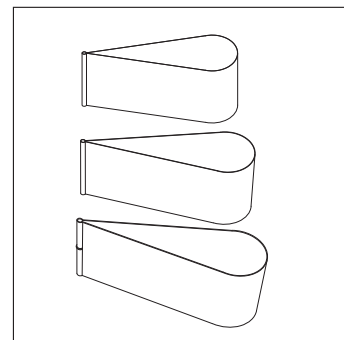
design: MOWO Studio



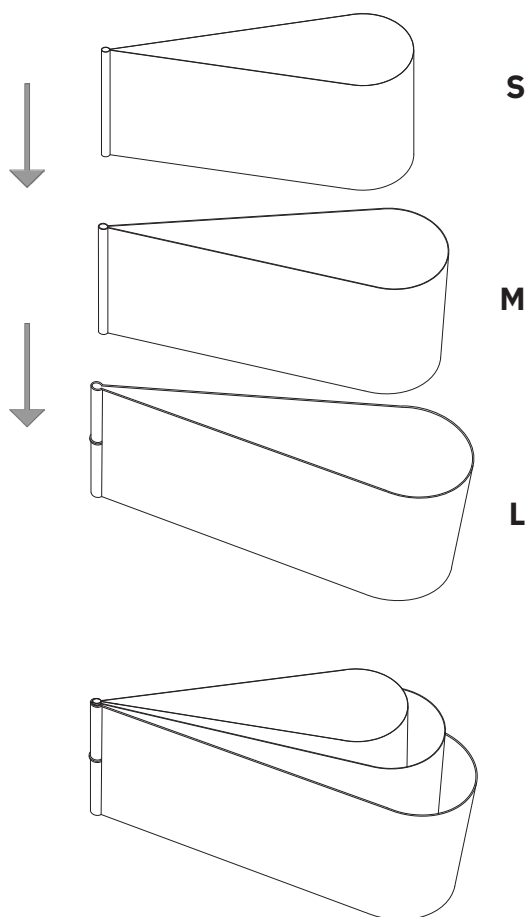
[1] Bulb holder with ceiling rose



[2] Supporting element

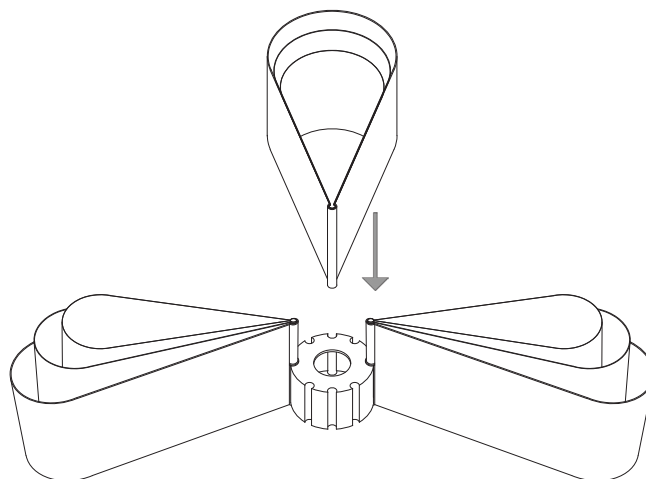


[3] Lampshade elements

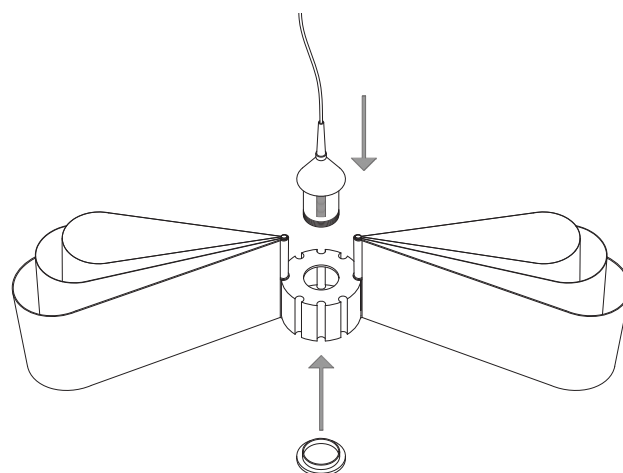


1. Assembling the individual lampshade elements

Prepare 3 elements in three different sizes: S, M, and L. Start by inserting the M size into the L size as shown in the illustration, so that the outer edges of the elements overlap. Next, insert the S element. This will create one complete "petal" of the lampshade. Repeat this process 8 times.



2. Place the assembled elements into the holes in the supporting part.



3. Insert the bulb holder into the central hole and tighten the mounting ring. Then, screw in the bulb.

