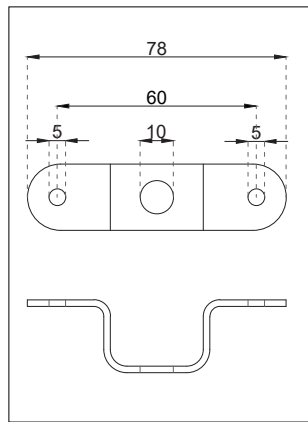
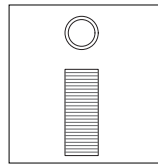


# Amytis | Ceiling Rose Installation Instructions

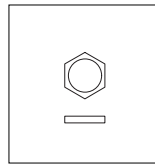
design: 2024, Cezary Zadorożny



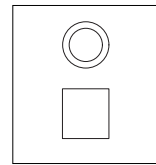
[1] Mounting element



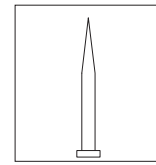
[2] Thread



[3] Nut



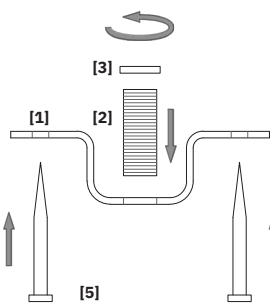
[4] Nipple



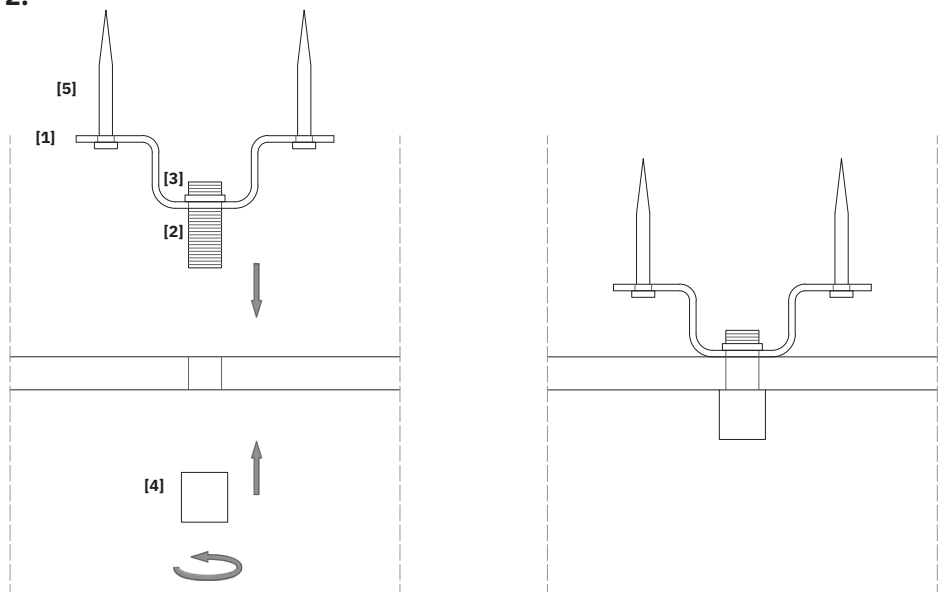
[5] Wall plugs

\*The set does not include wall plugs

1.

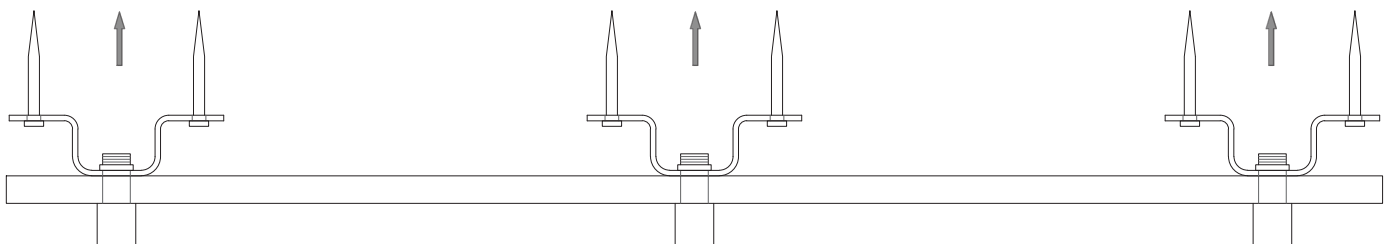


2.



1. Prepare the mounting element according to the drawing.
2. Place the element in the holes of the ceiling panel and tighten the nipple.

3.



3. Repeat the previous steps three times and mount the ceiling panel to the ceiling.

