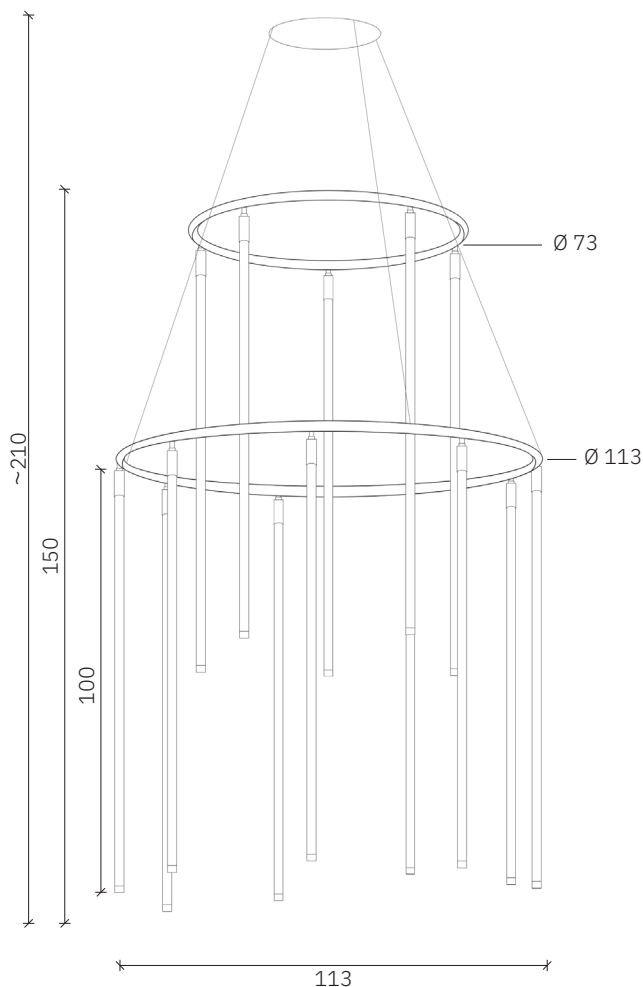


Amytis

design: 2024, Cezary Zadorożny

Model	Amytis
Material	Aluminium Glass
Dimensions	Ø 113 cm, h 210 cm
Finish	Powder coated aluminium elements
Power cord	Thin power wires
Power supply	24V, 400W
Light source	14 x Flexible LED tubes 15W
Ceiling rose	Special aluminium ceiling rose
Weight	-
Additional information	The lamp is equipped with a driver and dimmer, half-pallet shipping



User Manual:

- Gently remove the packaging.
- Before starting the installation, check if the product is complete and contains all elements without any damage.
- Check if all cables have undamaged insulation of wires and conductors.
- If any damage occurred during transport, report it to the seller.
- Turn off the power in the room where the lamp will be installed. Switch off the circuit breakers or the main power switch.
- It is recommended that the fixture be installed by an electrician or a properly trained person.
- The manufacturer does not provide wall plugs with the lamp. It is recommended to purchase plugs specifically designed for the mounting surface.
- Use only recommended bulbs to avoid overheating.

Maintenance Tips:

- Use a soft, dry, or slightly damp cloth to wipe off dust.
- Do not use any aggressive cleaning agents, as this may cause permanent stains or discoloration of the lamp.
- Keep the user manual.



Amytis

design: 2024, Cezary Zadorożny

Model	Amytis
EAN code	5902730889052
Producer	LOFTLIGHT Bottonova Sp. z o. o.
Design	Cezary Zadorożny
Type	Pendant lamp - chandelier
Materials	Aluminium Glass
Finish	Powder coated aluminium elements
Diameter	113 cm
Height	210 cm
Single LED tube length	100 cm
Power cord	Thin power wires
Power supply	24V, 400W
Light source	Flexible LED tubes 15W
Light colour	~ 3000K
Light stream	1500 lm
Color Rendering Index	90 Ra
Ceiling rose	Special aluminium ceiling rose
Number of light points	14
Weight	-
IP protection degree	IP20

