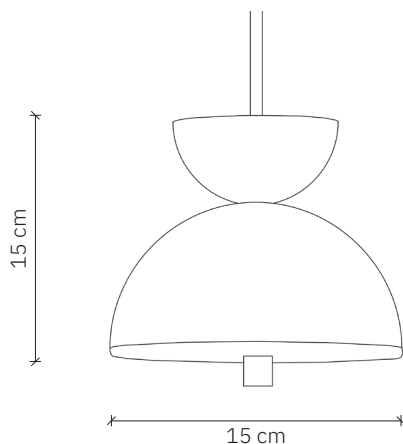


Boston

design: 2024, Cezary Zadorożny



Model	Boston
Material	Concrete Aluminium Sandblasted glass
Finish	Coloured concrete, powder-coated aluminium
Dimensions	Ø 15 cm, H: 15 cm, hemisphere diameter: 9 cm
Power cord	Fabric-covered black silicone, 120 cm
Power supply	220-240V
Light Source	14W LED, ~3000 K
Ceiling rose	Flat concrete ceiling rose Ø 10 cm, mounting hole spacing: 6 cm
Weight	1,15 kg

User Manual:

- Gently remove the packaging.
- Before starting the installation, check if the product is complete and contains all elements without any damage.
- Check if all cables have undamaged insulation of wires and conductors.
- If any damage occurred during transport, report it to the seller.
- Turn off the power in the room where the lamp will be installed. Switch off the circuit breakers or the main power switch.
- It is recommended that the fixture be installed by an electrician or a properly trained person.
- The manufacturer does not provide wall plugs with the lamp. It is recommended to purchase plugs specifically designed for the mounting surface.
- Use only recommended bulbs to avoid overheating.
- It is recommended to install with gloves.

Maintenance Tips:

- Use a soft, dry, or slightly damp cloth to wipe off dust.
- Do not use any aggressive cleaning agents, as this may cause permanent stains or discoloration of the lamp.
- Keep the user manual.



Boston

design: 2024, Cezary Zadorożny

Model	Boston
EAN code	5902730889120
Producer	LOFTLIGHT Bottonova Sp. z o. o.
Design	Cezary Zadorożny
Type	Pendant lamp
Materials	Concrete Aluminium Sandblasted glass
Finish	Coloured concrete, powder-coated aluminium
Diameter	15 cm
Height	15 cm
Hemisphere diameter	9 cm
Power cord	Fabric-covered black silicone
Standard cord length	120 cm
Power supply	220-240V
Light source	14W LED
Light colour	~3000 K
Light stream	1400 lm
Color Rendering Index	95 Ra
Ceiling rose	Flat concrete ceiling rose Ø 10 cm
Number of light points	1
Weight	1,15 kg
IP protection degree	IP20

