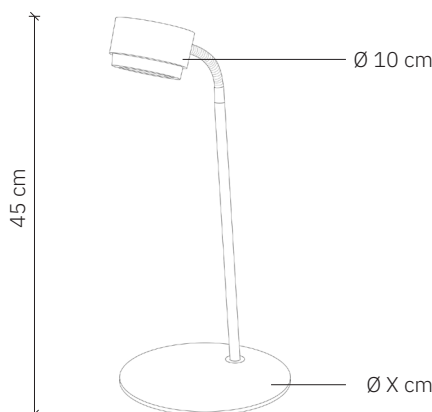


Jubi Concrete Table

design: 2024, Cezary Zadorożny



Model	Jubi Concrete Table
Material	Aluminium Concrete Sandblasted glass
Finish	Powder-coated aluminium elements, coloured concrete, sandblasted glass
Dimensions	Lampshade diameter: Ø 10 cm, Base diameter: cm H: 45 cm
Power cord	Fabric-covered black silicone, 160 cm
Power supply	220-240V
Light Source	18W LED, ~3000 K, (with an in-line dimmer)
Weight	-

User Manual:

- Gently remove the packaging.
- Before starting the installation, check if the product is complete and contains all elements without any damage.
- Check if all cables have undamaged insulation of wires and conductors.
- If any damage occurred during transport, report it to the seller.
- Turn off the power in the room where the lamp will be installed. Switch off the circuit breakers or the main power switch.
- It is recommended that the fixture be installed by an electrician or a properly trained person.
- The manufacturer does not provide wall plugs with the lamp. It is recommended to purchase plugs specifically designed for the mounting surface.
- Use only recommended bulbs to avoid overheating.
- It is recommended to install with gloves.

Maintenance Tips:

- Use a soft, dry, or slightly damp cloth to wipe off dust.
- Do not use any aggressive cleaning agents, as this may cause permanent stains or discoloration of the lamp.
- Keep the user manual.



Jubi Concrete Table

design: 2024, Cezary Zadorożny

Model	Jubi Concrete Table
EAN code	5902730889168
Producer	LOFTLIGHT Bottonova Sp. z o. o.
Design	Cezary Zadorożny
Type	Table lamp
Materials	Aluminium Concrete Sandblasted glass
Finish	Powder-coated aluminium elements, coloured concrete, sandblasted glass
Lampshade diameter	10 cm
Base diameter	32 cm
Height	45 cm
Power cord	Black silicone
Standard cord length	160 cm
Power supply	220-240V
Light source	18W LED
Light colour	~3000 K
Color Rendering Index	95 Ra
Light stream	1800 lm
Number of light points	1
Weight	-
IP protection degree	IP20

